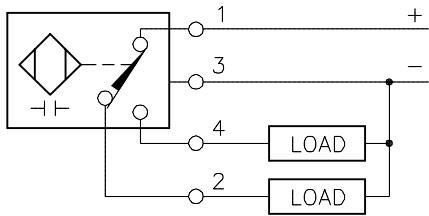
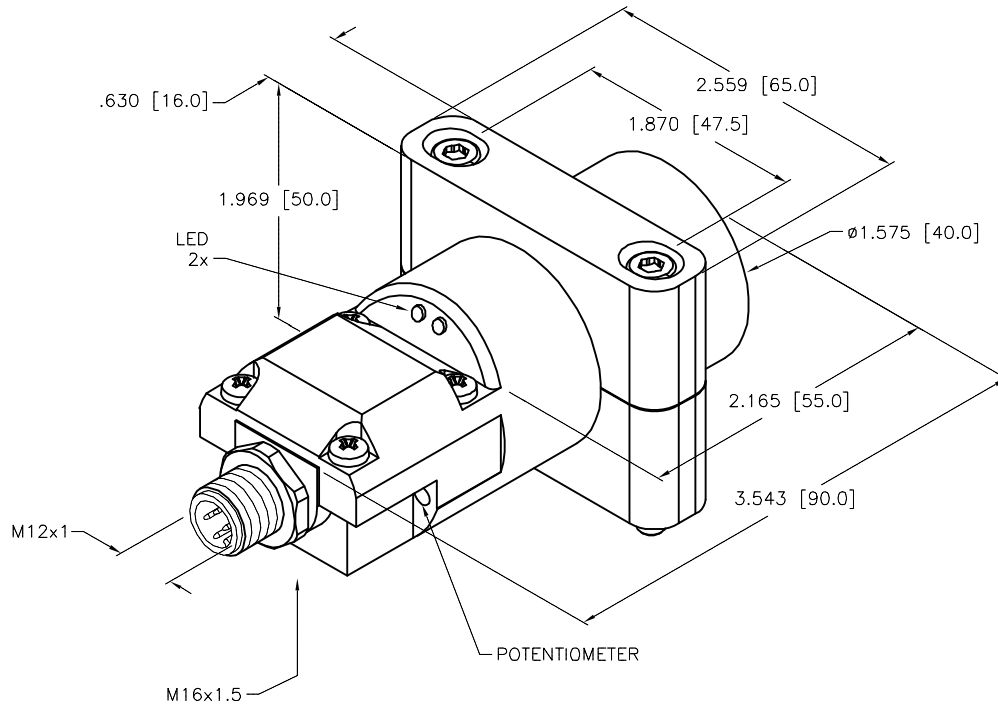


### WIRING DIAGRAM



OUTPUT: VP4X2

SHORT-CIRCUIT AND OVERLOAD PROTECTED



### SPECIFICATIONS

OPERATING VOLTAGE	10-65 VDC
RIPPLE	≤10%
HYSTERESIS	2-20% (5% TYPICAL)
VOLTAGE DROP ACROSS CONDUCTING SENSOR	≤ 1.8 V at 200 mA
OUTPUT FUNCTION	COMPLEMENTARY OUTPUT ONE N.O., ONE N.C. (SPDT)
TTL COMPATIBLE	NO
SHORT-CIRCUIT PROTECTED	YES
TRIGGER CURRENT FOR OVERLOAD PROTECTION	≥220 mA
CONTINUOUS LOAD CURRENT	≤200 mA
RESIDUAL CURRENT	<10μA
NO-LOAD CURRENT	6.0-12.0 mA
TIME DELAY BEFORE AVAILABILITY	≤60 ms
LOAD and WIRE CAPACITANCE	0.33 μf
POWER-ON EFFECT PROTECTION	INCORPORATED
REVERSE POLARITY PROTECTION	INCORPORATED
WIRE-BREAK PROTECTION	INCORPORATED
PROTECTION AGAINST TRANSIENTS	EN 60947-5-2
OPERATING TEMPERATURE	-25°C to +70°C (-13°F to +158°F)
ENCLOSURE	MEETS NEMA 1, 3, 4, 6, 13 AND IEC IP67
SHOCK	30 g, 11 ms
VIBRATION	55 Hz, 1 mm AMPLITUDE (IN ALL 3 PLANES)
LED FUNCTION	YELLOW: OUTPUT ENERGIZED GREEN: POWER ON
SENSING RANGE	20 mm = .787" (NOMINAL)
SWITCHING FREQUENCY	100 Hz
REPEATABILITY	≤2% of NOMINAL SENSING RANGE

SOURCE DRAWING - FOR REFERENCE ONLY

RELATED DOCUMENTS 1. 2. 3. 4.	3RD ANGLE PROJECTION 	THIS DRAWING IS CONFIDENTIAL AND THE PROPERTY OF TURCK INC. USE OF THIS DOCUMENT WITHOUT WRITTEN PERMISSION IS PROHIBITED.		3000 CAMPUS DRIVE MINNEAPOLIS, MN 55441 1-800-544-7769 (763) 553-7300 (763) 553-0708 fax www.turck.us	
		MATERIAL	DRFT CBM APVD	DATE 5/21/97 SCALE NONE	DESCRIPTION BC20-K40SR-VP4X2-H1141
FINISH	ALL DIMENSIONS DISPLAYED ON THIS DRAWING ARE FOR REFERENCE ONLY  CONTACT TURCK FOR MORE INFORMATION	UNIT OF MEASUREMENT <b>INCH [ MILLIMETER ]</b>		IDENTIFICATION NO. M2510091	REV C
C UPDATE THREADED PORT TO M16X1.5 RDS 12/23/04 12105	REV DESCRIPTION BY DATE ECO NO.	DO NOT SCALE THIS DRAWING		FILE: M2510091	SHEET 1 OF 1